

The Hydraulic Chain Pipe Wrench is specifically designed to be a portable solution to tighten and loosen threaded pipe connections. It replaces tongs and other manual methods for “making” and “breaking” these connections. It provides a safer and faster alternative to the hands-on set up of tongs and come-a-longs and helps eliminate more than half of the injuries on a rig and in shop environments.

With the press of a button, the Hydraulic Chain Pipe Wrench allows the user to move away from the dangerous, and even deadly, radius around the pipe. Available in five models, pipe make-up and break-out is a breeze. Just by latching the chain around the pipe and adjusting the slack with the tensioning nut, tightening and loosening of tubular threaded joints are no problem.

When used with the our Power Unit, five chain pipe wrench models provide maximum speed and torque output from 9,675 to 77,607 ft-lb. In addition to its unmatched safety, the our Hydraulic Chain Pipe Wrench gives operators the portability to go anywhere it’s needed. When compared to the lack of portability offered by table-top models, there is no comparison.

- Incredible safety benefits
- Portable & tough
- 9,675 to 77,607 ft-lb of torque
- Pipe diameters from 1” to 14”
- 6,000 psi operating pressure



The Advantage

Competing products are tongs or products based on off-the-shelf tongs. Following are some of the advantages the our Hydraulic Chain Pipe Wrench has over these products.

Safe

Once the Hydraulic Chain Pipe Wrench is set up on the pipe, the operator stands a safe distance away from the tool and watches it do the work. Tongs are either operated by hand or with the assistance of some type of chain or cable with a mechanical or motorized winch. This is extremely dangerous as the cables or chains can break.

Compact

The Hydraulic Chain Pipe Wrench has wrench arms that are much shorter than tong handles allowing it to work in tight places.

Stable

The Hydraulic Chain Pipe Wrench is designed to maintain a secure footing on the pipe through the entire power stroke. Tongs are extremely prone to side loading making it difficult to break loose pipe connections requiring higher torque.

Powerful

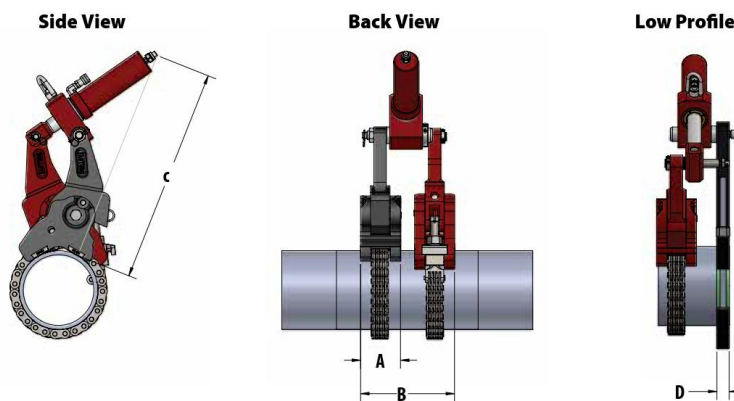
The Hydraulic Chain Pipe Wrench has 20% or more torque output than competing tools.

Portable

The Hydraulic Chain Pipe Wrench is preferable to “bucking machines” that are not portable. It is also designed to be assembled on the pipe in pieces making it easier to handle.

Low Profile Reaction Unit

For piping connections with space restrictions, an optional Low Profile Reaction Unit is available. It incorporates ZipNut Technology for fast installations and removal on the pipe. Specific information available upon request.



Model Number	Pipe Outside Diameter Inches (mm)	Maximum Torque ft-lb. (Nm)	A inches (mm)	B inches (mm)	C inches (mm)	D inches (mm)	Tool Weight (lb)
PW1STR	1 to 6 (25-152)	10,367 (14,056)	4 (102)	8.25 (210)	19 (483)	1.75 (45)	60 (127)
PW2STR	2-1/8 to 5 (54-127)	23,158 (31,398)	4 1/2 (114)	9.25 (235)	23 (584)	2 (51)	114 (52)
PW3STR	3 to 8-1/4 (76-210)	24,380 (33,055)	5 (127)	10.25 (260)	25 (635)	2 (51)	136 (62)
PW4STR	4-1/4 to 10-3/4 (108-273)	46,620 (63,208)	5 (127)	10.25 (260)	27 (686)	2.63 (68)	189 (86)
PW5STR	8-1/8 to 14 (102-356)	83,998 (113,886)	7 1/4 (184)	15.75 (400)	32 (813)	3.5 (89)	350 (159)