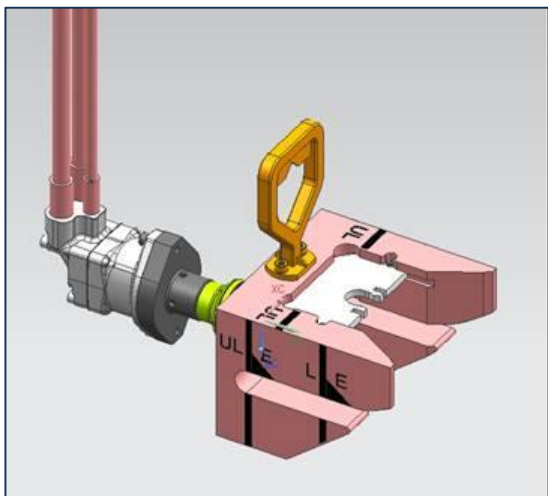
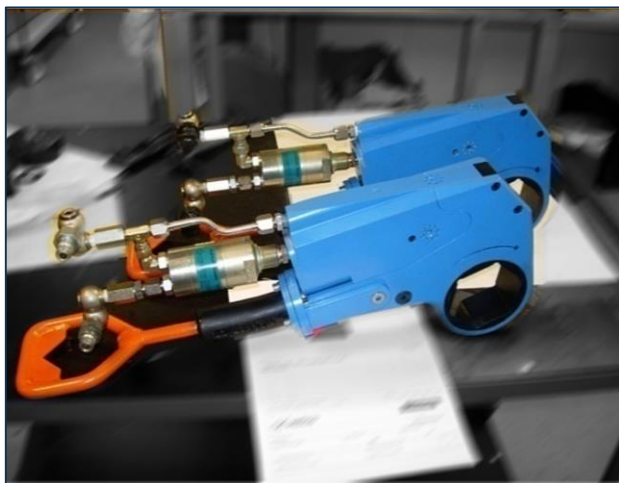


VASI has over 40 years of experience in tool development and customization.

Examples are workshop tools modified for ROV subsea use, pneumatic tools rebuilt to hydraulic, custom made reaction arms for torque tools, special made attachments to torque wrenched, modified hydraulic cylinders and rebuilding tools to fit in tight spaces.

Most modifications and customizations can be made in-house resulting in short lead times and hands-on control of the customization process.

In those cases we are not able to customize in-house we have both domestic and international well known partners available.



Contact us for further information