

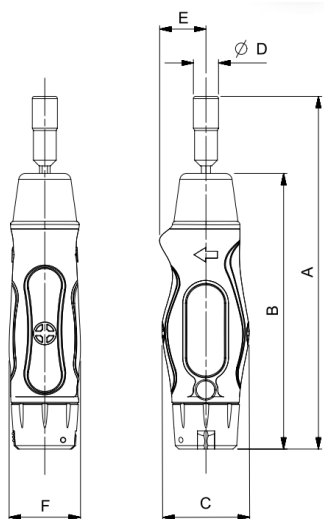


Versatile, accurate and easy torquing for smaller fasteners and restricted spaces

- Accuracy to $\pm 6\%$ meets the requirements of ISO 6789-1:2017
- Supplied with $\frac{1}{4}$ " hexagon bit holder
- Nm scale in stock. – lbf.in available on request

P/N	ADJUSTABLE RATCHET - NM
13850	TTs1.5, $\frac{1}{4}$ ", 0.3 - 1.5 Nm
13851	TTs3,0, $\frac{1}{4}$ ", 0.6 – 3,0 Nm
13852	TTs6,0, $\frac{1}{4}$ ", 1,2 - 6.0 Nm

P/N	ADJUSTABLE RATCHET – NM - PRODUCTION
13856	TTs1.5, $\frac{1}{4}$ ", 0.3 - 1.5 Nm
13857	TTs3,0, $\frac{1}{4}$ ", 0.6 – 3,0 Nm
13858	TTs6,0, $\frac{1}{4}$ ", 1,2 - 6.0 Nm



Model		All
Dimension (mm)	A	155
	B	121
	C	38
	$\varnothing D$	11
	E	20
	F	31
Weight Kg		0,2



All torque screwdrivers can also be supplied with a 12-piece bits set and case.



P/N	ADJUSTABLE RATCHET – NM - PRODUCTION
13700	TTs1.5, $\frac{1}{4}$ ", 0.3 - 1.5 Nm with 12 bits and case
13701	TTs3,0, $\frac{1}{4}$ ", 0.6 - 3.0 Nm with 12 bits and case
13702	TTs6,0, $\frac{1}{4}$ ", 1.2 - 6.0 Nm with 12 bits and case