

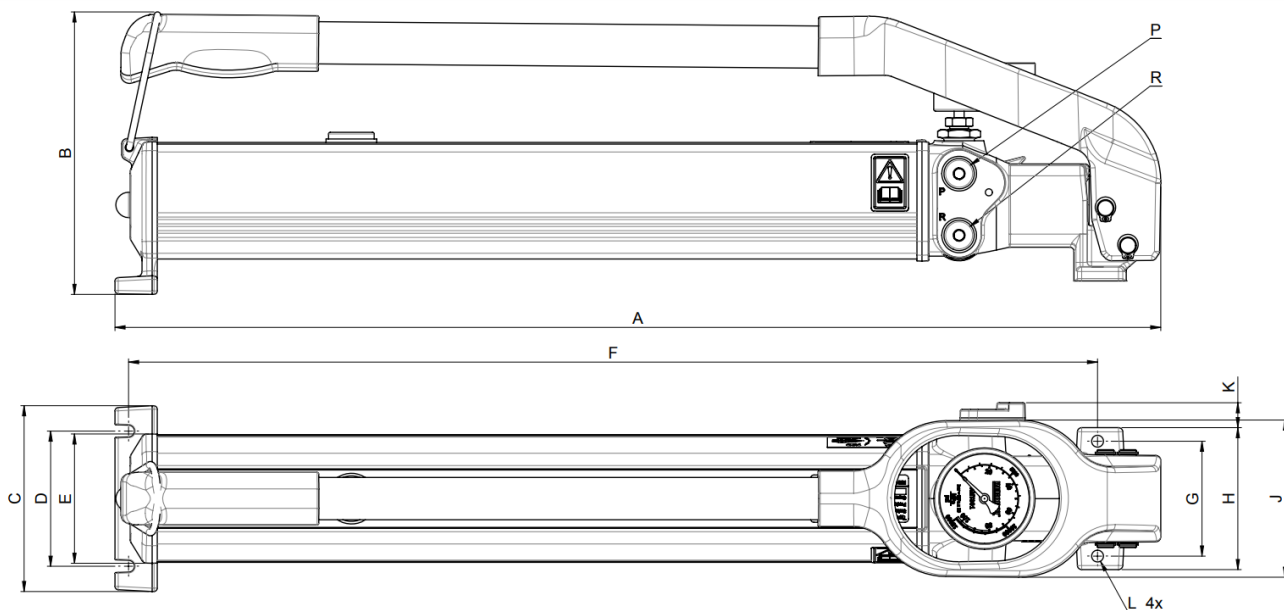
The two stage PHS hydraulic hand pumps come equipped with a pressure gauge as standard. The gauge provides the user with precise control over the pressure being developed. The gauge is directly mounted onto the pump and well protected by the specially designed pump lever. The two stage function makes the pump easier to operate, permitting the cylinder or hydraulic tool to reach its working position significantly faster compared with single stage pumps.

The pumps are robust and well suited for harsh environments and rough handling as found in workshops and other mobile and industrial environments.

- Hydraulic return port is standard on all pumps.
- Robust aluminum tank with low weight and simple oil filling.
- Needle release valve ensures precise control over lowering operation.
- Mounting holes for fixed installations and handle locking system for easy carrying.



Name	Item code	Working press. Bar	Eff. oil vol. cm <sup>3</sup>	Cap. cm <sup>3</sup> /stroke high	Cap. cm <sup>3</sup> /stroke low	Pump force N	Weight kg
PHS70-300	44411	700	300	1	20	350	6.0
PHS70-300W	44880	700	300	1	20	350	4.8
PHS70-1000	44400	700	1000	2	20	320	8.1
PHS70-1000W	44882	700	1000	2	20	320	6.9
PHS70-2400	44405	700	2400	2	20	320	9.9
PHS70-2400W	44886	700	2400	2	20	320	8.7
PHS70-4100	50605	700	4100	2	20	320	13.7
PHS100-1000	44402	1000	1000	1	20	230	8.1
PHS100-1000W	44884	1000	1000	1	20	230	6.9
PHS100-2400	44407	1000	2400	1	20	230	9.9
PHS100-2400W	44888	1000	2400	1	20	230	8.7
PHS100-4100	50619	1000	4100	1	20	230	13.7
PHS150-1000	44403	1500	1000	1	20	370	8.1
PHS150-1000W	44885	1500	1000	1	20	370	6.9
PHS150-1000L	44899	1500	1000	1	20	370	8.7
PHS150-2400	44408	1500	2400	1	20	370	9.9
PHS150-2400W	44889	1500	2400	1	20	370	8.7
PHS150-2400L	44903	1500	2400	1	20	370	10.5
PHS150-4100	51243	1500	4100	1	20	370	13.7
PHS200-1000L	44914	2000	1000	0.7	20	380	8.7
PHS200-2400L	44911	2000	2400	0.7	20	380	10.5
PHS240-2400L	44910	2400	2400	0.7	20	460	10.5
PHS240-4100L	51490	2400	4100	0.7	20	460	14.1
PHS280-2400L	44912	2800	2400	0.7	20	540	10.5
PHS300-1000L	51440	3000	1000	0.5	20	425	8.7



Name	Max working pressure MPa	Effective oil capacity cm <sup>3</sup>	Capacity low pressure cm <sup>3</sup> /stroke	Capacity high pressure cm <sup>3</sup> /stroke	Pump force @ max working pressure N	Pressure gauge	P Pressure connection	R Return connection	A mm	B mm	C mm	D mm	E mm	F mm	G mm	H mm	J mm	K mm	L Ø mm	Weight kg
PHS70-300	70	300	20	1	350	AMT801	G1/4"	G1/4"	320	170	110	80	75.3	275	68	84	93	14	6.6	6
PHS70-1000	70	1000	20	2	320	AMT801	G1/4"	G1/4"	620	170	110	80	75.3	575	68	84	93	14	6.6	8.1
PHS70-2400	70	2400	20	2	320	AMT801	G1/4"	G1/4"	620	170	110	80	127	575	68	84	93	14	6.6	9.9
PHS70-2400W	70	2400	20	2	320	---	G1/4"	G1/4"	620	170	110	80	127	575	68	84	---	14	6.6	8.7
PHS70-4100	70	4100	20	2	320	AMT801	G1/4"	G1/4"	620	170	140	100	209	575	68	84	93	14	6.6	13.7
PHS80-300	80	300	20	1	400	AMT801	G1/4"	G1/4"	320	170	110	80	75.3	275	68	84	93	14	6.6	6
PHS80-1000	80	1000	20	2	360	AMT801	G1/4"	G1/4"	620	170	110	80	75.3	575	68	84	93	14	6.6	8.1
PHS80-2400	80	2400	20	2	360	AMT801	G1/4"	G1/4"	620	170	110	80	127	575	68	84	93	14	6.6	9.9
PHS80-4100	80	4100	20	2	360	AMT801	G1/4"	G1/4"	620	170	140	100	209	575	68	84	93	14	6.6	13.7
PHS100-300	100	300	20	1	500	TX104	G1/4"	G1/4"	320	170	110	80	75.3	275	68	84	93	14	6.6	6
PHS100-1000	100	1000	20	1	230	TX104	G1/4"	G1/4"	620	170	110	80	75.3	575	68	84	93	14	6.6	8.1
PHS100-2400	100	2400	20	1	230	TX104	G1/4"	G1/4"	620	170	110	80	127	575	68	84	93	14	6.6	9.9
PHS100-4100	100	4100	20	1	230	TX104	G1/4"	G1/4"	620	170	140	100	209	575	68	84	93	14	6.6	13.7
PHS150-1000	150	1000	20	1	370	TX104	G1/4"	G1/4"	620	170	110	80	75.3	575	68	84	93	14	6.6	8.1
PHS150-2400	150	2400	20	1	370	TX104	G1/4"	G1/4"	620	170	110	80	127	575	68	84	93	14	6.6	9.9
PHS150-1000L	150	1000	20	1	370	AMT151	G1/4"	G1/4"	620	170	110	80	75.3	575	68	84	134	---	6.6	8.7
PHS150-2400L	150	2400	20	1	370	AMT151	G1/4"	G1/4"	620	170	110	80	127	575	68	84	134	---	6.6	10.5
PHS200-1000L	200	1000	20	0.7	380	AMT301	9/16-18 UNF	G1/4"	620	170	110	80	75.3	575	68	84	134	---	6.6	8.7
PHS200-2400L	200	2400	20	0.7	380	AMT301	9/16-18 UNF	G1/4"	620	170	110	80	127	575	68	84	134	---	6.6	10.5
PHS240-2400L	240	2400	20	0.7	460	AMT301	9/16-18 UNF	G1/4"	620	170	110	80	127	575	68	84	134	---	6.6	10.5

