

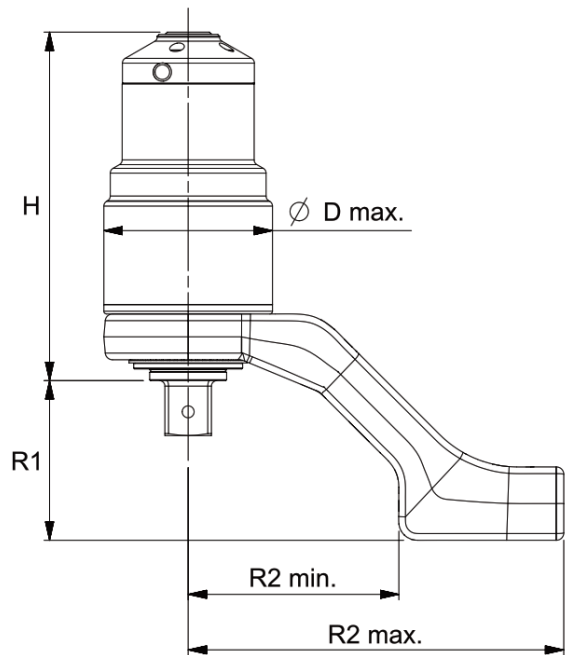
The Norbar 'Compact Series' Handtorque multipliers are smaller and lighter than other torque multipliers. They are supplied with a unique calibration certificate and in their own carry case.



Features

- Compact dimensions allow excellent access to applications and easy, safe handling
- Lightweight for torque capacity
- Supplied as standard with an aluminum reaction arm (steel reactions for HT-52). Other options are available on request, including customized reactions
- Mean torque multiplication accuracy $\pm 4\%$
- Robust, 48 tooth Anti Wind-Up Ratchet (AWUR) contains the forces generated during tightening for safe and easy operation
- Each multiplier is supplied with its own unique traceable calibration certificate
- allowing the accurate calculation of input torque for critical applications If you order a accredited calibration certificate (available at extra cost), this certificate will be provided in place of the traceable calibration certificate.
- 100-7000Nm Capacity





Part No	Model	Description	Ratio	D max.	H	R1	R2 min	R2 max	Tool Weight	Reaction Weight
181440	HT52-4.7	HT52-4.7 1000Nm ½" input ¾" output	4.7	52	91	58	71	131	1	0.9
181441	HT52-22.2	HT52-22.2 1000Nm 3/8" input ¾" output	22.2	52	116	58	71	131	1.3	0.9
181442	HT52-22.2	HT52-22.2 1000Nm ½" input ¾" output	22.2	52	116	58	71	131	1.3	0.9
181443	HT52-22.2 AWUR	HT52-22.2 AWUR 1000Nm 3/8" input ¾" output	22.2	52	130	58	71	131	1.4	0.9
181444	HT52-22.2 AWUR	HT52-22.2 AWUR 1000Nm ½" input ¾" output	22.2	52	130	58	71	131	1.4	0.9
181445	HT52-22.2 AWUR	HT52-22.2 AWUR 1000Nm 3/8" input 1" output	22.2	52	130	58	71	131	1.4	0.9
181446	HT52-22.2 AWUR	HT52-22.2 AWUR 1000Nm ½" input 1" output	22.2	52	130	58	71	131	1.4	0.9
181447	HT72-5.2	HT72-5.2 1500Nm ½" input 1" output	5.2	72	117	74	112	165	2.5	1.4
181448	HT72-5.2	HT72-5.2 1000Nm ¾" input ¾" output	5.2	72	122	69	112	165	2.5	1.4
181449	HT72-5.2	HT72-5.2 2000Nm ¾" input 1" output	5.2	72	117	74	112	165	2.6	1.4
181450	HT72-27	HT72-27 2000Nm ½" input 1" output	27	72	132	74	112	165	2.9	1.4
181451	HT72-27 AWUR	HT72-27 AWUR 2000Nm ½" input 1" output	27	72	150	74	112	165	3.2	1.4
181452	HT92-25 AWUR	HT92-25 AWUR 4000Nm ½" input 1" output	25	92	190	69	115	175	5.4	2.5
181453	HT119-27 AWUR	HT119-25.5 AWUR 7000Nm ½" input 1.5" output	27	119	212	91	152	212	9.3	4.0