

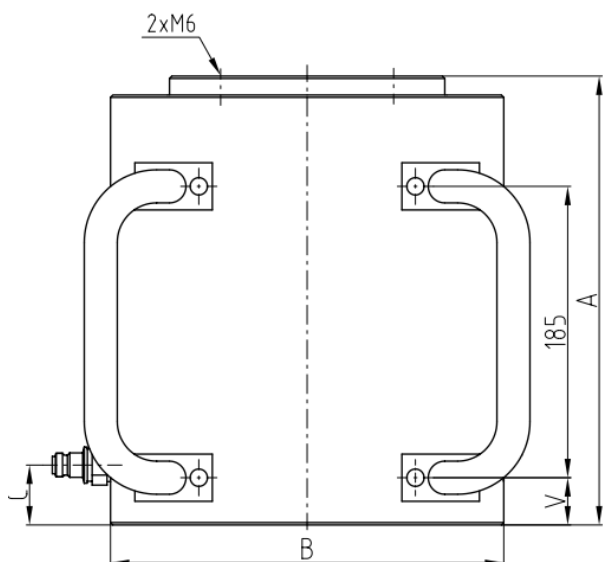
CX push cylinder with 220 (256\*) ton lifting capacity. It is specifically designed to withstand off-center loads and is equipped with extra large, unique, piston guides.

220 (256\*) ton capacity and 100 mm stroke length.

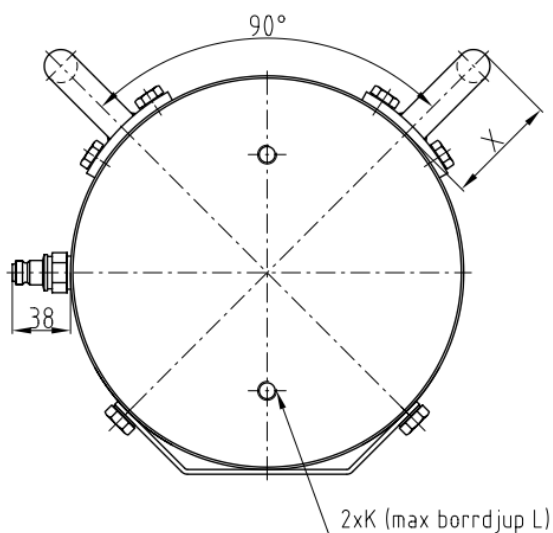
**CX** = single acting push cylinder with load return



Name	Item code	Working press. MPa	Capacity kN (t)	Stroke mm	Stroke volume cm <sup>3</sup>	Diameter mm	Height mm	Weight kg
CX250B-100	49460	80	2513 (256)	100	3140	250	285	100



CX250B-100



Modell	Max arbets-tryck, MPa	Kapacitet kN	Slaglängd mm	Kolvarea cm <sup>2</sup>	Slagvolym cm <sup>3</sup>	A mm	B Ømm	C mm	K	L Ømm	V mm	X Ømm	Vikt kg
CX250B-100	80	2513	100	314	3140	285	250	38	M12	17	30	71	100