

CL and CLF push cylinders are the right choice for those who need small and compact installation dimensions. Threaded holes for fastening makes it easy to integrate the cylinder into different kinds of applications. The cylinders can withstand high loads and are built specifically for demanding applications.

- 5-202 ton capacity and 10-50 mm stroke length.
- Compact design for limited space applications.
- Prepared with mounting holes at bottom for fastening.
- Replaceable reinforced load cap.

The CLF series is VASI's smallest cylinder standard series - CLF50-10 reaches a height of only 37 mm, but with an incredible 5 ton lifting capacity. Cylinders CLF670-45 and CLF1100-40 are equipped with a handle to facilitate their handling.

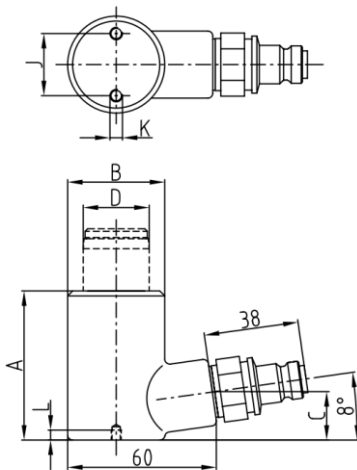


CL = Single acting low push cylinders with gravity return

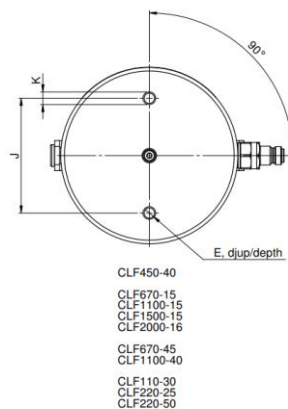
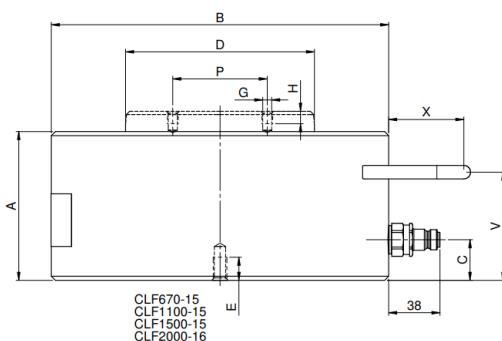
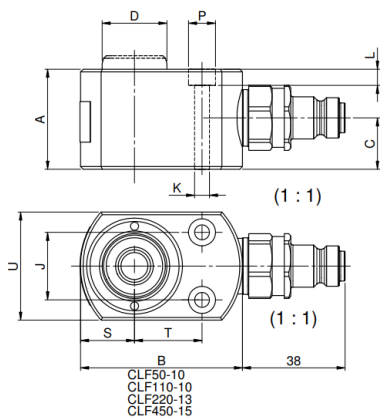
CLF = Single acting low push cylinders with spring return

Name	Item code	Working press. MPa	Capacity kN (t)	Stroke mm	Stroke volume cm ³	Diameter mm	Height mm	Weight kg
CL50-25	35680	70	49 (5)	25	18	39	60	0.7
CLF50-10	35132	70	49 (5)	10	7.1	60	37	0.6
CLF110-10	35133	70	111 (11)	10	15.9	80	43	1.5
CLF110-30	47067	70	111 (11)	28	44.5	65	75	1.8
CLF220-13	35320	70	218 (22)	13.5	42.1	100	50	2.6
CLF220-25	50450	70	218 (22)	25	78	96	65	3.25
CLF220-50	37553	70	218 (22)	50	156	85	107	3.9
CLF450-15	35305	70	445 (45)	15	95.4	134	68	6.4
CLF450-40	47071	70	445 (45)	40	254.4	120	120	8.8
CLF670-15	35413	70	665 (68)	15	142.5	146	78	9.2
CLF670-45	47075	70	665 (68)	45	427.5	146	130	14.3
CLF1100-15	35166	70	1078 (110)	15	231	180	90	17
CLF1100-40	47079	70	1078 (110)	40	616	180	140	23.7
CLF1500-15	35485	70	1498 (153)	15	321	220	100	28
CLF2000-16	35490	70	1985 (202)	16	454	250	110	40

Single acting push cylinders compact CL/CLF



Modell	Max arbets-tryck, MPa	Kapacitet kN	Slaglängd mm	Kolvarea cm ²	Slagvolym cm ³	A mm	B Ømm	C mm	D Ømm	J mm	K M5	L mm	P Ømm	S mm	T mm	U mm	Y mm	Vikt kg
CL50-25	70	49	25	7,1	18	60	39	19	26,5	25	M5	4	---	---	---	---	---	0,7



Modell (Model)	Art. nr.	Max arbetstryck, MPa (Max. pressure)	Kapacitet kN (Capacity)	Slaglängd mm (Stroke)	Kolvarea cm (Piston area)	Slagvolym cm (Stroke volume)	A mm	B Ømm	C mm	D Ømm	E mm	G	H mm	J mm	K	L mm	P Ømm	S mm	T mm	U mm	V mm	X mm	Y mm	Vikt (Weight) kg		
CLF50-10	35132	70	49	10	7,11	7,1	37	60	18	24	-	---	-	25	Ø5,5	6	10	20	25	40	---	---	---	---	0,6	
CLF110-10	35133	70	111	10	15,9	15,9	43	80	18	35	-	---	-	40	Ø5,5	6	10	33	32	66	---	---	---	---	1,5	
CLF220-13	35320	70	218	13,5	31,2	42,1	50	100	20	50	-	---	-	40	Ø5,5	6	10	44	41	86	---	---	---	---	2,6	
CLF450-15	35305	70	445	15	63,6	95,4	68	134	20	60	-	---	-	67	Ø12	11	18	60	50,8	120	---	---	---	---	6,4	
CLF110-30	47067	70	111	28	15,9	44,5	75	65	20	35	6	---	-	40	M6	---	---	---	---	---	---	---	---	51	1,8	
CLF220-25	50450	70	218	25	31,2	78	65	96	16	50	5	---	-	55	M6	---	---	---	---	---	---	---	---	---	2,25	
CLF220-50	37553	70	218	50	31,2	156	107	85	20	50	5	---	-	55	M6	---	---	---	---	---	---	---	---	---	51	3,9
CLF450-40	47071	70	445	40	63,6	254,4	120	120	20	60	10	---	-	75	M8	---	---	---	---	---	---	---	---	---	---	8,8
CLF670-15	35413	70	665	15	95	142,5	78	146	20	80	8	---	-	110	M8	---	---	---	---	---	60	45	---	---	9,2	
CLF1100-15	35166	70	1078	15	154	231	90	180	20	100	10	---	-	120	M8	---	---	---	---	---	60	53	---	---	17	
CLF1500-15	35485	70	1498	15	214	321	100	220	27	125	14	M8	10	150	M10	---	70	---	---	---	80	58	---	---	28	
CLF2000-16	35490	70	1985	16	284	454	110	250	30	140	19	M8	10	200	M10	---	70	---	---	---	80	61	---	---	40	
CLF670-45 *	47075	70	665	45	95	427,5	130	146	20	80	12	---	-	95	M10	---	---	---	---	---	85	---	---	---	14,3	
CLF1100-40 *	47079	70	1078	40	154	616	140	180	25	100	18	---	-	120	M12	---	---	---	---	---	95	---	---	---	23,7	