

CHFA-series push cylinders are all made of high-tensile aluminum providing an excellent service life in low cycle applications. They have an outstanding power to weight ratio – weighing approximately 50% less than steel cylinders. The center hole design allows the cylinder to be used for both push and pulling operations.

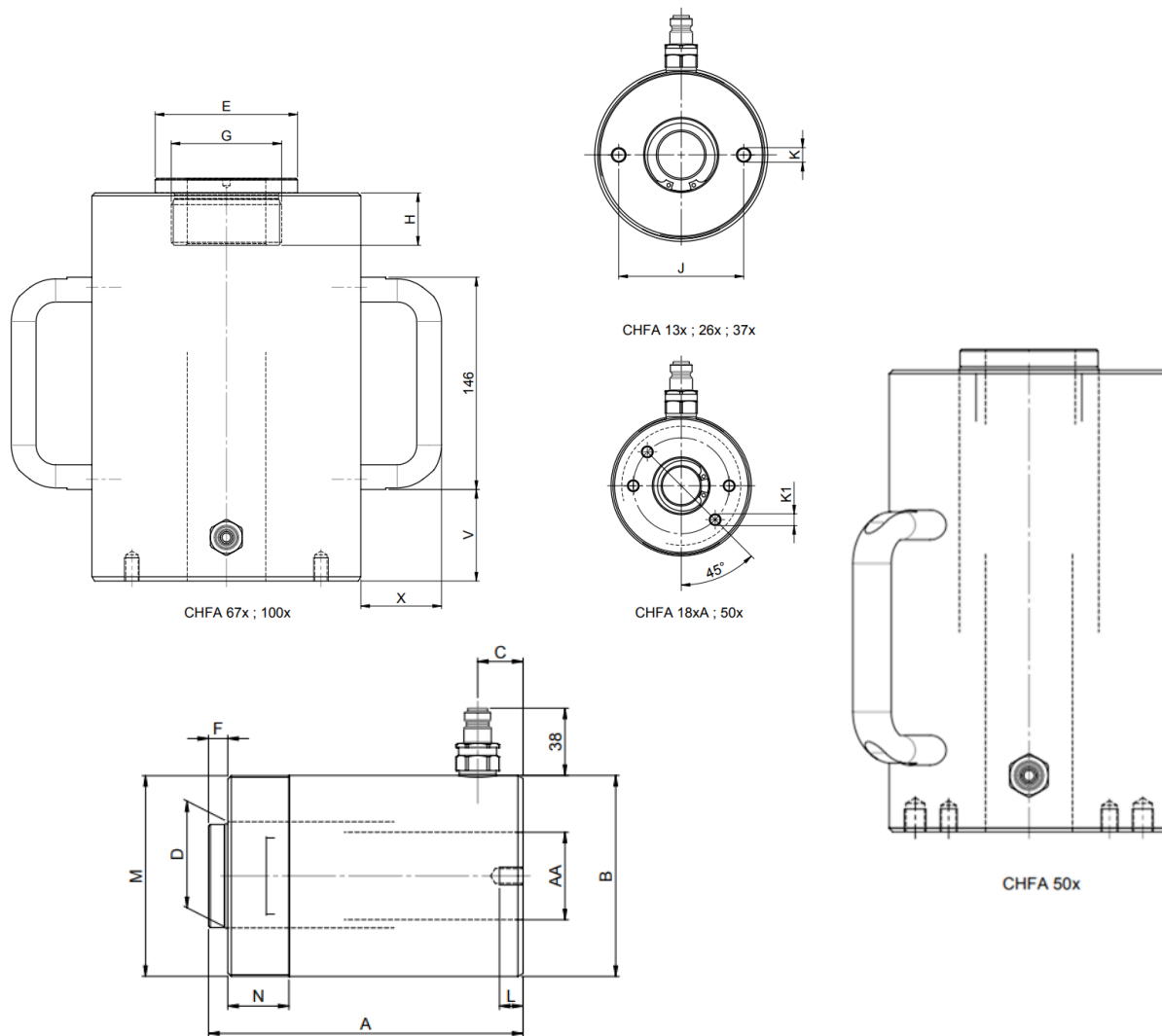
- 13-103 ton capacity and 51-153 mm stroke length.
- By inserting a rod through the cylinder, the compression force can also be used for pulling operations.

**CHFA** = Single acting aluminum hollow bore cylinders with spring return



Name	Item code	Working press. MPa	Capacity kN (ton)	Stroke mm	Hole diam. mm	Stroke volume cm <sup>3</sup>	Diameter mm	Height mm	Weight kg
CHFA132	45862	70	123 (13)	52	22	92	80	165	2.3
CHFA136	46602	70	123 (13)	153	22	270	80	310	4
CHFA182A	46621	70	176 (18)	51	26	128	94	171	3
CHFA184A	46622	70	176 (18)	102	26	256	94	246	4
CHFA262	46641	70	255 (26)	51	32	186	115	180	4.9
CHFA266	46642	70	255 (26)	153	32	557	115	323	8.7
CHFA372	46661	70	358 (36)	51	39	261	136	189	6.9
CHFA376	46662	70	358 (36)	153	39	784	136	327	12
CHFA504	47733	70	508 (52)	104	51	756	160	276	14.7
CHFA673	46681	70	659 (67)	77	54	726	185	257	18
CHFA674	50830	70	659 (67)	102	54	961	185	284	19.5
CHFA676	46682	70	659 (67)	153	54	1442	185	357	25
CHFA1003	46701	70	1010 (103)	77	66	1111	227	290	29
CHFA1006	46702	70	1010 (103)	153	66	2208	227	397	40

# Single acting hollow cylinders aluminium CHFA



Name	Max working pressure MPa	Capacity kN	Stroke mm	Piston area cm <sup>2</sup>	Displacement cm <sup>3</sup>	A mm	B Ømm	C mm	D Ømm	E Ømm	F mm	G	H mm	J mm	K 2x	K1 2x	L mm	M	N mm	V mm	X mm	AA Ømm	Weight kg
CHFA132	70	123	52	17,6	92	165	80	22	40	39	10	M30x1,5	17	54	M6	---	9	M75x2	35	---	---	22	2,3
CHFA136	70	123	153	17,6	270	310	80	22	40	39	10	M30x1,5	17	54	M6	---	9	M75x2	35	---	---	22	4
CHFA182A	70	176	51	25,1	128	171	94	22	45	45	10	M35x1,5	25	66	M8	M8	10	M90x2	35	---	---	26	3
CHFA184A	70	176	102	25,1	256	246	94	22	45	45	10	M35x1,5	25	66	M8	M8	10	M90x2	35	---	---	26	4
CHFA262	70	255	51	36,4	186	180	115	26	60	59	11	M45x1,5	29	86	M10	---	12	M115x2	35	---	---	32	4,9
CHFA266	70	255	153	36,4	557	323	115	26	60	59	11	M45x1,5	29	86	M10	---	12	M115x2	35	---	---	32	8,7
CHFA372	70	358	51	51,2	261	189	136	28	70	68	12	M50x2	30	105	M10	---	15	M130x2	35	---	---	39	6,9
CHFA376	70	358	153	51,2	784	327	136	28	70	68	12	M50x2	30	105	M10	---	15	M130x2	35	---	---	39	12
CHFA504	70	508	104	72,7	756	276	160	32	80	79	12	M62x1,5	32	130,2	W1/2"	M10	15	---	---	37,5	55	51	14,7
CHFA673A	70	659	77	94,2	726	257	185	37	100	98	10	M76x3	36	130	M10	---	15	---	---	27,5	55	54	18,4
CHFA674A	70	659	102	94,2	961	284	185	37	100	98	10	M76x3	36	130	M10	---	15	---	---	63	55	54	20
CHFA676A	70	659	153	94,2	1442	357	185	37	100	98	10	M76x3	36	130	M10	---	15	---	---	101,5	55	54	25
CHFA1003A	70	1010	77	144,3	1111	290	227	40	120	118	18	M90x2	42	185	M12	---	16	---	---	55,5	55	66	30,2
CHFA1006A	70	1010	153	144,3	2208	397	227	40	120	118	18	M90x2	42	185	M12	---	16	---	---	121,5	55	66	40,6