

CFA push cylinders supplied by VASI are all made of high-tensile aluminum providing an excellent service life in low cycle applications.

They have an outstanding power to weight ratio – weighing approximately 50% less than steel cylinders. The cylinder tube and piston are hard anodized for extended protection against wear and corrosion.

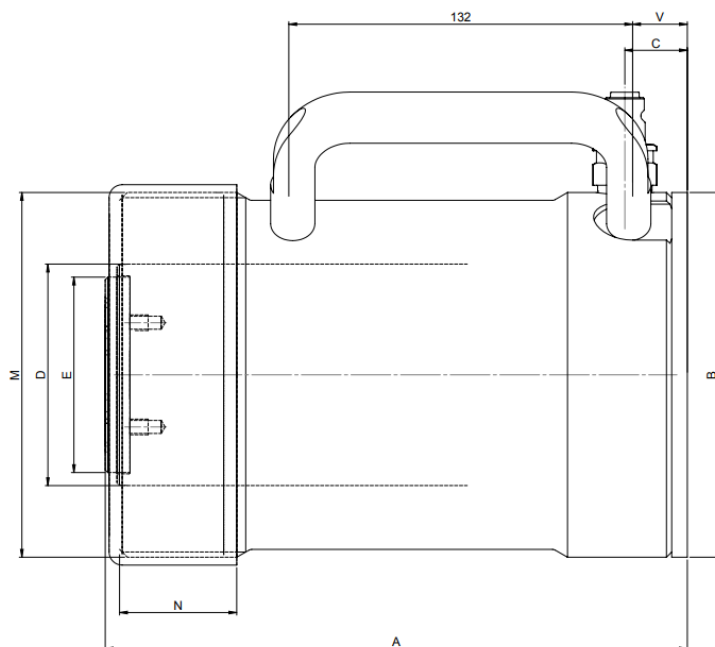
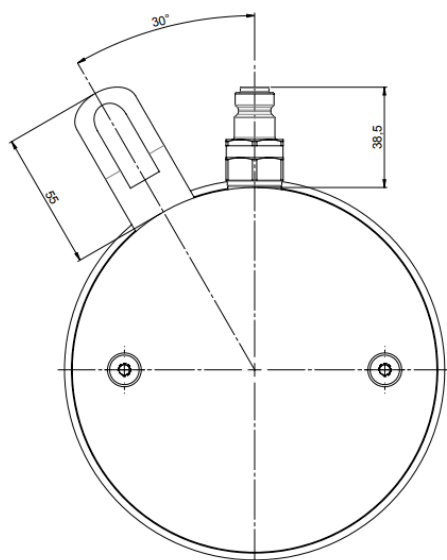
CFA push cylinders are delivered with a top lip and a protective bottom plate of steel, all to warrant proper function even if the base and lifting points are rough.

- 24-95 ton capacity.
- 100-200 mm stroke length.
- Anodized cylinder and piston for increased wear and corrosion protection.



Name	Item code	Working press. MPa	Capacity kN (t)	Stroke mm	Stroke volume cm ³	Diameter mm	Height mm	Weight kg
CFA250-100	48978	70	232 (24)	100	332	100	212	4.4
CFA250-200	48980	70	232 (24)	200	664	100	312	5.9
CFA500-100	47153	70	496 (51)	100	709	140	223	9.2
CFA500-200	47160	70	496 (51)	200	1418	140	323	12.7
CFA750-100	47185	70	727 (74)	100	1039	170	235.5	14
CFA750-200	47186	70	727 (74)	200	2078	170	335.5	18.3
CFA1000-100	47163	70	929 (95)	100	1327	190	243	18.4
CFA1000-200	47171	70	929 (95)	200	2655	190	343	24.7
CFA250-100	48978	70	232 (24)	100	332	100	212	4.4
CFA250-200	48980	70	232 (24)	200	664	100	312	5.9

Single acting push cylinders aluminum CFA



Modell / Model	Max arbetstryck / Max working pressure MPa	Kapacitet / Capacity kN	Slaglängd / Stroke mm	Kolvarea / Piston area cm ²	Slagvolym / Stroke volume cm ³	A mm	B mm	C mm	D mm	E mm	M	N mm	V mm	Vikt / Weight kg
CFA250-100	70	232	100	33,2	332	212	100	24	60	53	M100x4-6g	37	-	4,4
CFA250-200	70	232	200	33,2	664	312	100	24	60	53	M100x4-6g	37	-	5,9
CFA500-100	70	496	100	70,9	709	223,5	140	31	85	75	M140x4-6g	45	21	9,2
CFA500-200	70	496	200	70,9	1418	323,5	140	31	85	75	M140x4-6g	45	21	12,7
CFA750-100	70	727	100	103,9	1039	235,5	170	18	100	75	M170x4-6g	54	31	14,0
CFA750-200	70	727	200	103,9	2078	335,5	170	18	100	75	M170x4-6g	54	31	18,3
CFA1000-100	70	929	100	132,7	1327	243	190	39	110	95	M190x4-6g	56	34	18,4
CFA1000-200	70	929	200	132,7	2655	343	190	39	110	95	M190x4-6g	56	34	24,7