



For precision applications up to 1,500 Nm

- Exceptionally clear torque signal from unique mechanism
- Non-length dependent so can be used with or without the supplied extension handle (optional on Pro 650)
- Extension handle significantly reduces operator effort to achieve high torque values
- Accurate to $\pm 3\%$ of reading which meets the requirements of ISO 6789-2:2017
- On request 'P' Type wrenches can be set, marked with the setting and certified for production line applications requiring a sealed torque setting. Only if a pre-set has been requested will the tool be supplied with a Declaration of Conformance

P/N	ADJUSTABLE RATCHET - DUAL SCALE	P/N	RATCHET PRODUCTION 'P' – PRESET TORQUE
14037	Pro 650, 3/4", 130 - 650 Nm, 100 - 480 lbf.ft	14039	Pro 650, 3/4", 130 - 650 Nm, 100 - 480 lbf.ft
No.800	Pro 800, 3/4", 200 - 800 Nm, 150 - 600 lbf.ft	No.800P	Pro 800, 3/4", 200 - 800 Nm, 150 - 600 lbf.ft
No.1000	Pro 1000, 3/4", 300 - 1,000 Nm, 220 - 750 lbf.ft	No.1000P	Pro 1000, 3/4", 300 - 1,000 Nm, 220 - 750 lbf.ft
No.1500	Pro 1500, 3/4", 500 - 1,500 Nm, 370 - 1,100 lbf.ft	No.1500P	Pro 1500, 3/4", 500 - 1,500 Nm, 370 - 1,100 lbf.ft

All the wrenches comes with a 3/4" drive as standard. If required we will replace the current 3/4" drive with a 1" drive at no cost. 800, 1000 and 1500Nm wrenches comes with extension handle as standard (P/N 14142). All wrenches are supplied in a storage box.



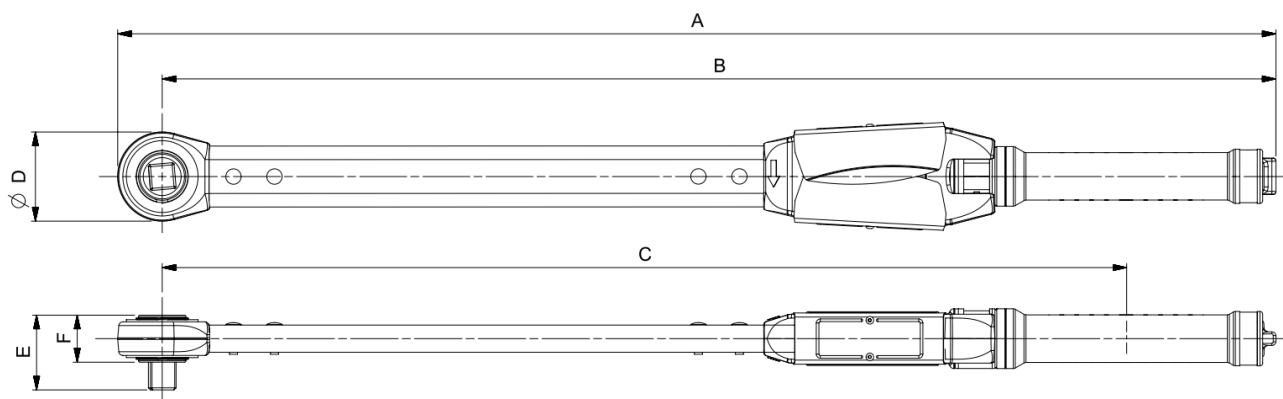
P/N	TORQUE HANDLE ADJUSTABLE - DUAL SCALE	P/N	TORQUE HANDLE ADJUSTABLE - DUAL SCALE
14040	Pro 650, 22 mm spigot, 130-650 Nm, 100-480 lbf.ft	14041	Pro 650, 14x18mm spigot, 130-650 Nm, 100-480 lbf.ft
14042*	Pro 650, 22 mm spigot, 130-650 Nm, 100-480 lbf.ft	14043*	Pro 650, 14x18mm spigot, 130-650 Nm, 100-480 lbf.ft

* Production type – Preset torque.



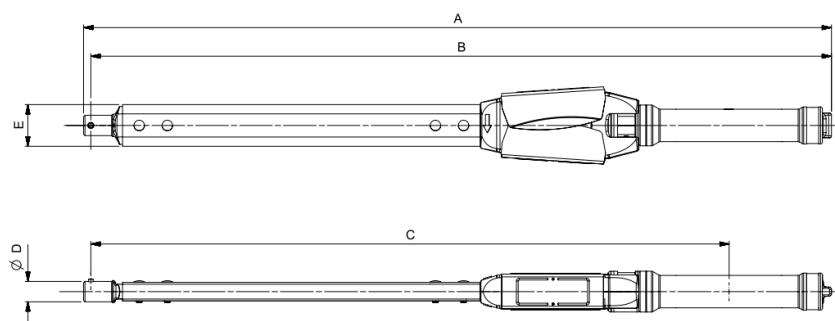
PUSH-TROUGH RATCHET

Model	650Nm	800Nm	1000Nm	1500Nm	650Nm P	800Nm P	1000Nm P	1500Nm P
Part number	14036	No.800	No.1000	No.1500	14039	No.800P	No.1000P	No1500P
Dimension (mm)	A	856	1037	1245	1571	848	1030	1238
	B	823	999	1208	1533	816	992	1201
	C	713	889	1097	1423	713	889	1097
	ØD	66	75	75	75	66	75	75
	E	56	58	58	58	55	58	58
	F	30	33	38	38	35	38	38
Weight Kg	4,0	5,2	5,8	6,7	4,0	5,2	5,7	6,7



Model	650Nm	650Nm P
Part number	14040	14042
Dimension (mm)	A	807
	B	799
	C	688
	ØD	22
	E	45
Weight Kg	3,6	3,6

SPIGOT TORQUE HANDLE



Model	650Nm	650Nm P
Part number	14041	14043
Dimension (mm)	A	830
	B	815
	C	704
	D	30
	E	45
	F	23
Weight Kg	3,6	3,6

FEMALE TORQUE HANDLE

