

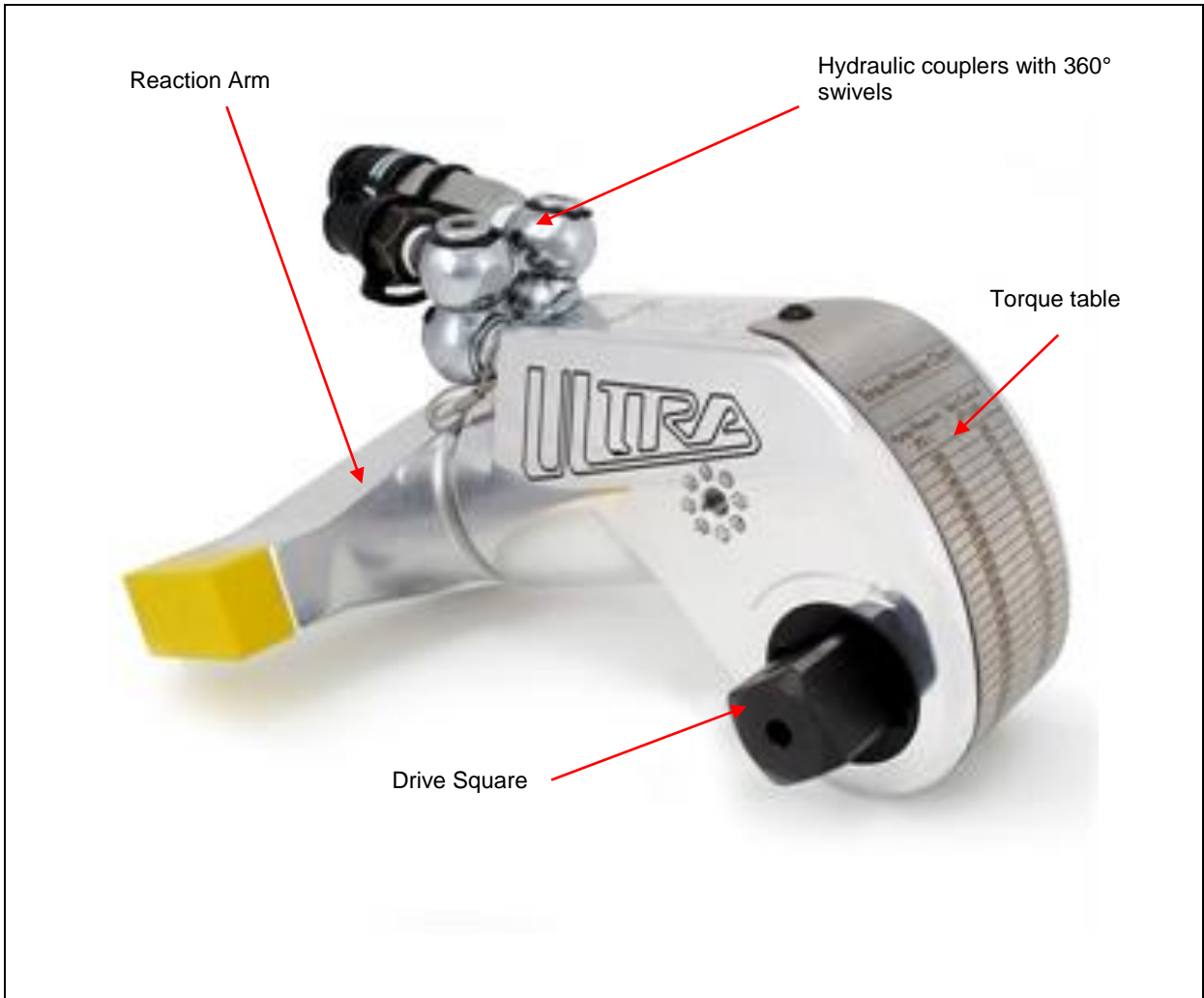
Document type: PDS	<b>Document No. TU-PDS</b>	
Status: Issued	Product Data Sheet: For Torcup TU Hydraulic Torque Tool	
Prepared by: Erik Conradi	Created Date: 05.01.16	Last Modified Date: 14.02.17
Approved by: Aksel Bråthen	Version: 1	Revision: 1



**Key Features**

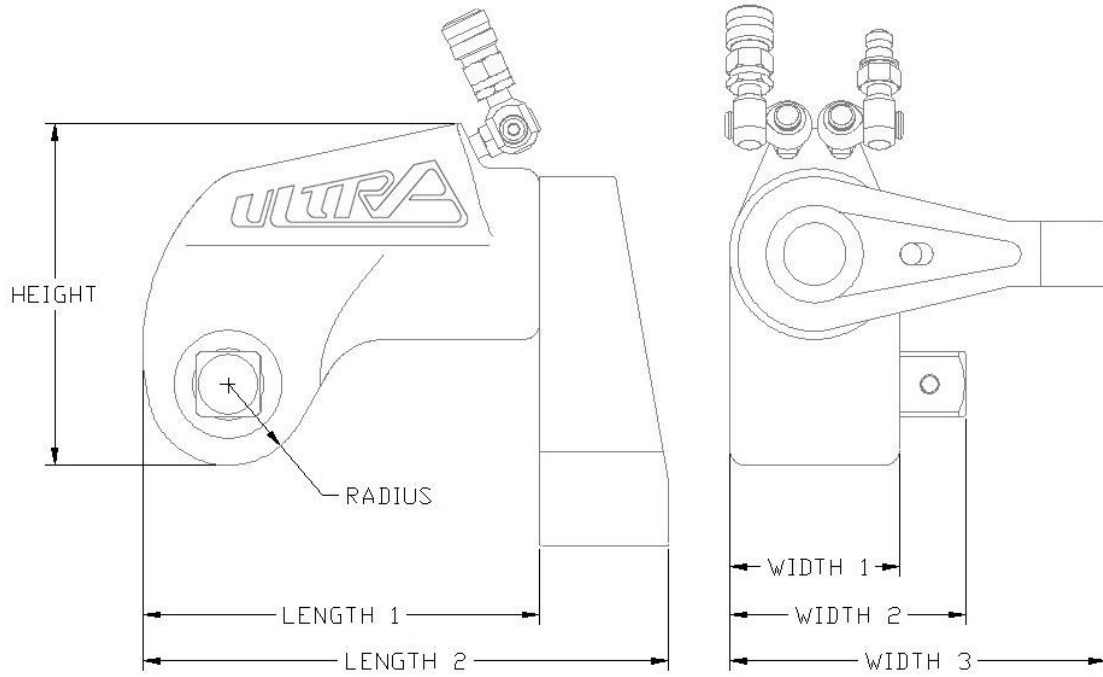
- Torque range from 172 to 78625Nm
- Square drive from ¾" to 2½"
- Accuracy ±3%

**Tool Design**



## Specifications

PART #	TU-2	TU-3	TU-5	TU-7	TU-11	TU-20	TU-27	TU-60
Square Drive	¾"	1"	1½"	1½"	1½"	2½"	2½"	2½"
Minimum Torque(Ft/lbs)	127	330	550	740	1100	1940	2720	5800
Maximum Torque (Ft/lbs)	1270	3300	5500	7400	11010	20625	27200	58000
Minimum Torque (Nm)	172	447	745	1003	1491	2630	3687	7862
Maximum Torque (Nm)	1722	4514	7457	10031	14925	27964	36872	78625
Output Accuracy	+3%	+3%	+3%	+3%	+3%	+3%	+3%	+3%
Repeatability	100%	100%	100%	100%	100%	100%	100%	100%
Duty Cycle	100%	100%	100%	100%	100%	100%	100%	100%
Cylinder Weight (lbs)	3,9	9,0	17,0	19,0	29,0	60,8	70	130
Cylinder Weight (Kg)	2	4	7,7	8	13,2	27,7	31	58
Height	2,40" / 106,7mm	5,30" / 134,6mm	6,4" / 162,6mm	7,14" / 181,4mm	7,81" / 198,4mm	9,22" / 234,3mm	10,19" / 258,8mm	11,50" / 292,1mm
Length 1	4,82" / 122,4mm	6,20" / 157,5mm	7,91" / 200,91mm	8,45" / 214,6mm	9,25" / 235,0mm	9,44" / 239,7mm	12,32" / 321,9mm	15,38" / 390,7mm
Length 2	6,34" / 161,0mm	8,20" / 208,3mm	10,66" / 270,76mm	11,19" / 284,2mm	12,25" / 311,2mm	16,09" / 408,9mm	16,33" / 414,8mm	20,40" / 518,2mm
Radius	0,98" / 24,9mm	1,29" / 32,8mm	1,57" / 39,88mm	1,75" / 44,5mm	1,91" / 48,5mm	2,31" / 58,7mm	2,46" / 62,5mm	3,10" / 78,7mm
Width 1	2,00" / 50,8	2,63" / 66,8	3,12" / 79,25mm	3,61" / 91,7	3,95" / 100,3	4,87" / 123,6	5,26" / 133,6	6,58" / 167,1
Width 2	2,79" / 70,9mm	3,68" / 93,5mm	4,64" / 117,86mm	5,06" / 128,5mm	5,43" / 137,9mm	7,15" / 181,7mm	7,57" / 192,3mm	8,89" / 225,8mm
Width 3	4,42" / 112,3mm	5,81" / 147,6mm	7,00" / 177,8mm	7,98" / 202,7mm	8,72" / 221,5mm	10,88" / 276,4mm	11,63" / 295,4mm	14,29 / 363,0mm



**Features**

**Patented Mono-Body Housing**

This feature is a TorcUP exclusive. The TU Series housing is machined from a single block of 7075 AQ Aluminum, which reduces torsion and flex on the body of the tool under pressure.



**Dual Independent Swivels**

The unique swivel design allows for 360 degree by 360 degree independent movement of the hoses to avoid any and all reaction points.



**Push-Through Drive**

The push-through square drive allows the user to switch easily from loosen to tighten without having to remove the drive



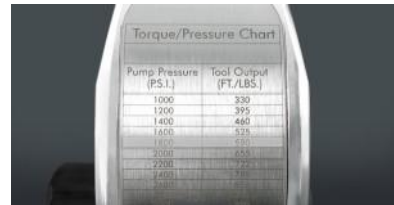
**Steel Reaction Boot**

This feature protects the main reaction point of the arm and is field replaceable.



**Laser Engraved Torque Chart**

The dual sided shroud is laser engraved with the torque chart for the TU Series, preventing lost charts during use.



**Reaction Arm Release Button**

The release button for the reaction arm is set within the arm as a safety feature, protecting the arm from accidental disengagement



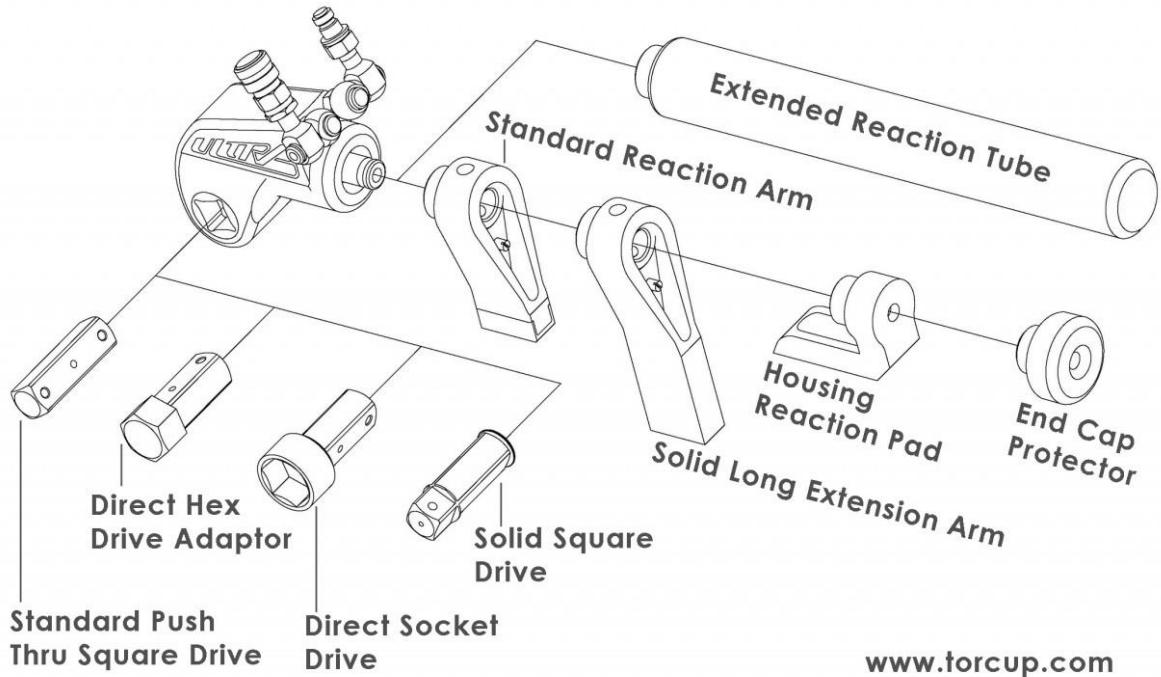
**No Drip Quick Connect Couplers**

These 3:1 rated safety couplers are designed for simple engagement. The coupler collar ensures safe operation



**Accessories**

**TU Series Square Drive Hydraulic Torque Wrench  
Available Accessories**



**TU Direct Hex Drive Adaptor**

Replace the square drive of your TU tool with this hex drive adaptor to drive socket head cap screws



**TU Extended Reaction Tube**

Attach this reaction tube in place of the standard reaction arm when your reaction point is located further from the nut.



**TU Housing Reaction Pad**

The housing reaction pad provides a flat surface when reacting directly off the body of the tool

**TU Reaction Arm Extension Boot**

These boots, available for most models in 1", 2" or 3", provide additional reaction length at the base of the standard reaction arm.

**TU Solid Long Extension Arm**

Available for the TU-2, TU-3, TU-7 and TU-11 models, this solid reaction arm is 6" longer than the standard reaction arm of each tool, allowing for a further reaction point.

**TU Tool Handle**

This ergonomically designed handle for TorcUP hydraulic tooling can be attached to the tool for safe operation and positioning of the tool, while keeping hands clear of any reaction points.

